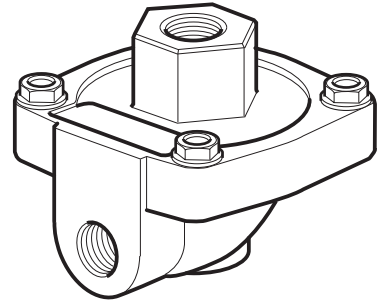


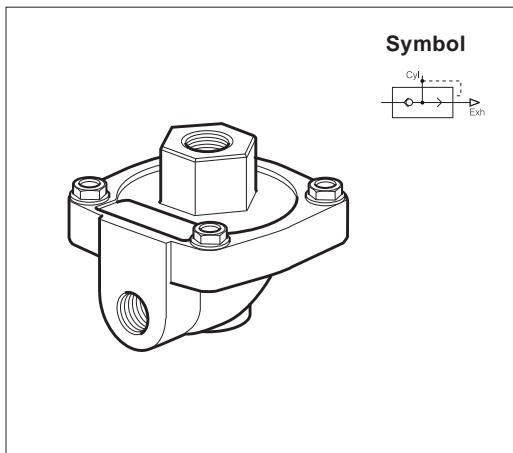
- Increases piston speeds, super sensitive diaphragm
- Extremely low operating differential
- Virtually stiction free
- May be used as differential shuttle valve
- High temperature option



## Operating information

|                                   |                 |
|-----------------------------------|-----------------|
| Operating pressure:               | 0,2 to 10 bar   |
| Operating temperature (Standard): | -10°C to +80°C  |
| Operating temperature (High):     | -10°C to +180°C |
| Body material:                    | Aluminium       |
| Diaphragm material (Standard):    | Nitrile         |
| Diaphragm material (High):        | Viton           |

## Standard version

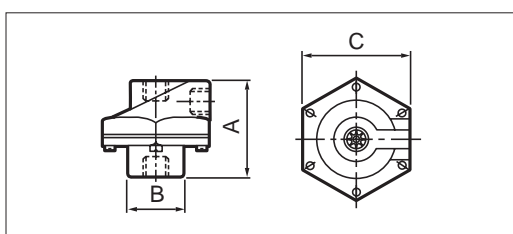


| Port Size | Cv Rating | Weight kg | Order Code      |
|-----------|-----------|-----------|-----------------|
| G1/4      | 2,3       | 0,20      | <b>P4Q-BA12</b> |
| G3/8      | 3,6       | 0,18      | <b>P4Q-BA13</b> |
| G1/2      | 6,6       | 0,50      | <b>P4Q-CA14</b> |
| G3/4      | 7,3       | 0,44      | <b>P4Q-CA16</b> |

## High temperature version

| Port Size | Cv Rating | Weight kg | Order Code      |
|-----------|-----------|-----------|-----------------|
| G1/4      | 2,3       | 0,20      | <b>P4Q-BV12</b> |
| G3/8      | 3,6       | 0,18      | <b>P4Q-BV13</b> |
| G1/2      | 6,6       | 0,50      | <b>P4Q-CV14</b> |
| G3/4      | 7,3       | 0,44      | <b>P4Q-CV16</b> |

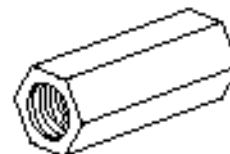
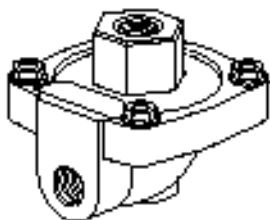
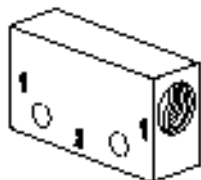
## Quick Exhaust Valves - Dimensions



| Order code      | Port Size | A  | B  | C  |
|-----------------|-----------|----|----|----|
| <b>P4Q-B*12</b> | G1/4      | 52 | 25 | 62 |
| <b>P4Q-B*13</b> | G3/8      | 52 | 25 | 62 |
| <b>P4Q-B*14</b> | G1/2      | 73 | 38 | 86 |
| <b>P4Q-B*16</b> | G3/4      | 73 | 38 | 86 |

# Service and Replacement Parts

---



## P4Q Series Quick Exhaust Valves

| Part Number | Repair Kit       |                          |
|-------------|------------------|--------------------------|
|             | Standard (* = A) | High Temperature (* = V) |
| P4Q-B*12    | 3340BR           | 3340BVR                  |
| P4Q-B*13    |                  |                          |
| P4Q-C*14    | 3340CR           | 3340CRV                  |
| P4Q-C*16    |                  |                          |

## Shuttle Valves

No internal components available, **replace complete valve.**

## PWA-L Line Mounted Non-return Valves

No internal components available, **replace complete valve.**

## VB Series Non-return Valves

| Part Number | Valve Seat |
|-------------|------------|
| VB12-Q-NQ-5 | 9124863400 |
| VB22-Q-NQ-5 | 9124864100 |
| VB42-Q-NQ-5 | 9124864800 |