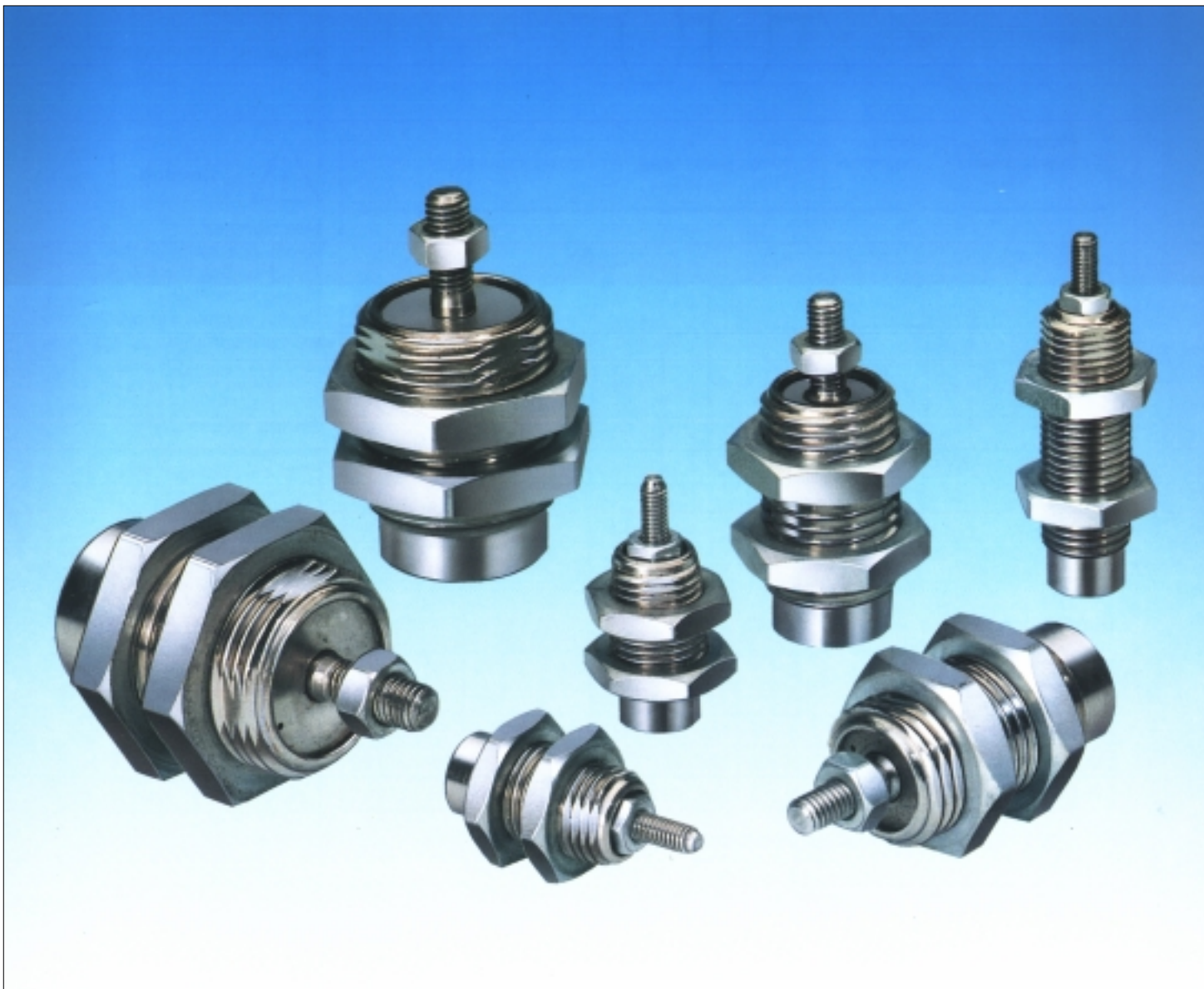




Cartridge Cylinders

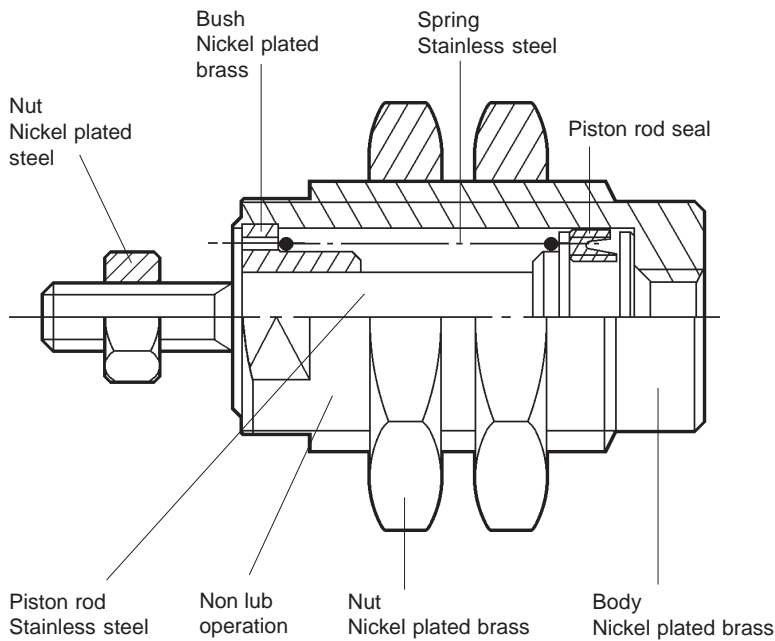
*Single acting, non - lube operation
Ø 6, 10 and 16mm bore sizes*

Catalogue 2109GB-ca



Single acting cartridge cylinders

Features



Part nos.

Ø	
6	M6 - 5121A - + stroke
10	M10 - 5121A - + stroke
16	M16 - 5121A - + stroke

Standard stroke lengths

5, 10, or 15mm

Add stroke to part no.

e.g. M6 - 5121A - 10

Technical information

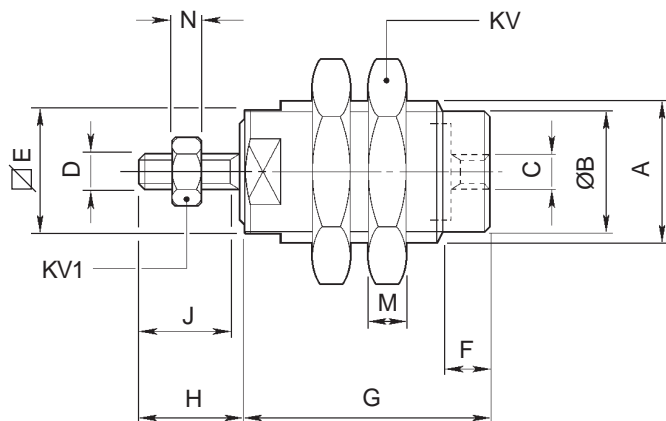
Temperature: -20° +80°C

Pressure: max. 7bar
min. 2bar



Caution

Use clean air
Avoid side loads on the piston rod
Avoid loading the piston rod during retraction
Do not operate the cylinders with excessive inertia.



Dimensions (mm)

Ø	A	ØB	C	D	E	F	G			H	J	KV A/F	KV1	M	N
							5	10	15						
6	M10 x 1	8,5	M5	M3 x 0,5	9	5	18,5	25,5	32,5	9,0	9	14	5,5	3	2,4
10	M15 x 1,5	13,0	M5	M4 x 0,7	14	5	20,5	27,0	34,0	11,5	11	19	7,0	4	3,2
16	M22 x 1,5	19,0	M5	M5 x 0,8	20	6	23,5	29,5	36,0	14,0	12	27	8,0	5	4,0

Spring forces (N)

Ø	Retracted	Extended
6	1,5	4
10	2,5	6
16	4,5	11

Weights (g)

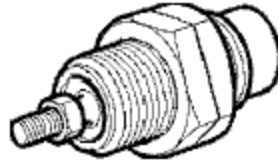
Ø	Strokes		
	5	10	15
6	10	13	15
10	27	32	36
16	70	78	87



Parker Hannifin plc
Pneumatic Division
Walkmill Lane, Bridgtown,
Cannock, Staffs. WS11 3LR. U.K.

We reserve the right to make alterations without prior notification.
Edition 97.06

Service and Replacement Parts



P1G Cartridge Cylinders

Non-repairable, **replace complete cylinder**